



Water filtration with PURITY C

The new generation of filter cartridges with PURITY technology

- Optimal water quality
- Highest level of product safety
- Simple handling

Important technology in a small format.

Filter heads

Choose between the filter head that enables a variable by-pass setting of 0–70%, or a filter head with a fixed by-pass setting of 0% or 30%, all available with either 3/8" BSP or John Guest connections.

 Variable by-pass of 0–70% * 	 Fixed, preset by-pass of 30% * 	 Fixed, preset by-pass of 0% * 
---	---	--

* With integrated bleeding and flushing at the push of a button



Two minutes for your new water filter

To exchange the depleted filter cartridge, simply rotate the locking handle to divert the water and release the cartridge. Press the flush valve and depressurise the filter. Remove the depleted filter cartridge from the filter head.

The filter cartridge can be pivoted by 90° in the wall mounting bracket for easy removal. Remove the protective cap from the new filter cartridge. Note the next exchange date in the date field on the filter cartridge.

Insert the filter cartridge vertically into the filter head and turn the locking handle until you hear it click. Operate the flush valve and rinse the filter system until the filtered water runs clear without bubbles – done!

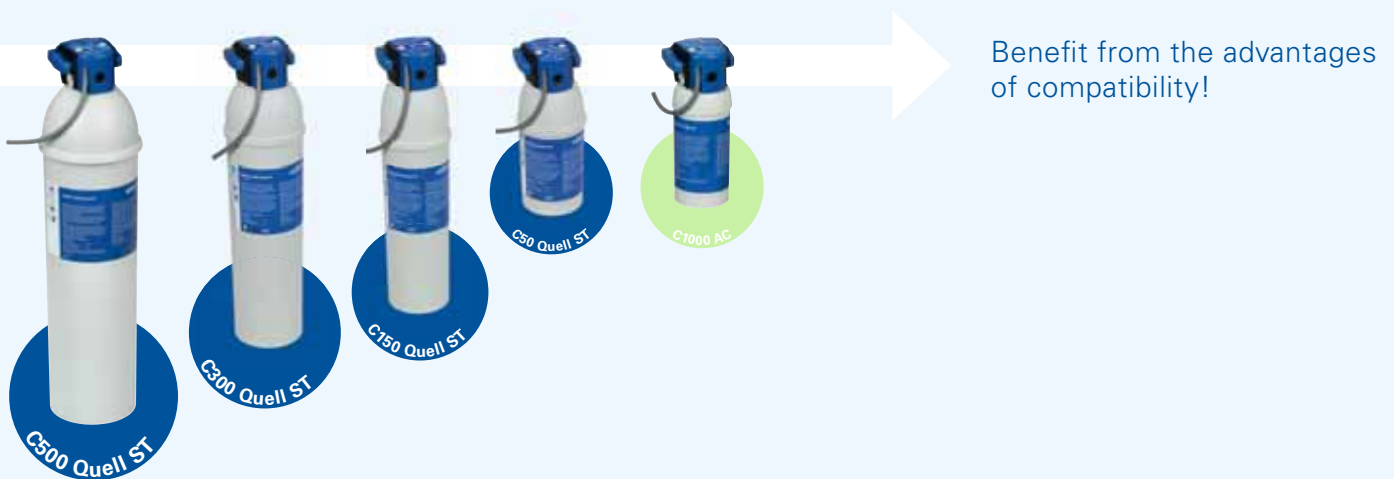
One concept – many solutions.

PURITY technology is enabling BRITA to lead the way, setting new standards in water filtration.

Now, we have added a major addition to the PURITY Family, to give users of lower capacity machines in the catering and vending sector access to BRITA's unique PURITY technology.

The solution is called PURITY C – for the first time, filter cartridges have been equipped with the unique PURITY technology. Depending on your requirements, these cartridges reduce carbonate hardness, as well as unpleasant taste taints and odours and the finest particles. Only then can the taste and aroma of the products develop, giving the best possible quality.

The filter cartridge you need fits in all three heads!



PURITY C Quell ST

perfect for coffee and espresso machines, hot and cold drink vending machines as well as combi and conventional ovens. By means of decarbonisation, the scale deposits in the upstream appliance are reduced and heavy metal ions are retained. The PURITY C Quell ST cartridges are available in four different sizes.

PURITY C1000 AC

is a new member of the PURITY C Family. This cartridge is designed for vending systems, plumbed in water dispensers and coffee machines in soft water areas. Its fine-pored activated carbon block filters unwanted tastes and odours, as well as small particles and impurities, out of the water.

Flexible, compact, efficient, cost-saving – PURITY C



The three PURITY promises.

1. Optimal water quality.

Your advantages:

- Consistent water quality over the entire life of the filter
- Safe machine protection
- Clear reduction in service costs
- Free from undesirable taste taints and odours
- The aromatics of the food and drink can be fully appreciated pure and unadulterated
- Effective filtration even in water with low carbonate hardness



Our service to you:

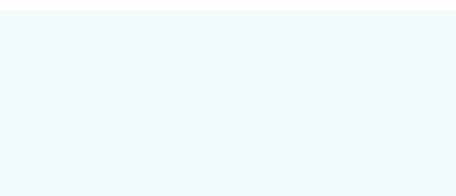
- Even flow system
- Perfect, inter-coordinated filter media and components
- **IntelliBypass** technology*
- By-pass opportunity of up to 70%*

* with PURITY C Quell ST filters

2. Highest level of product safety.

Your advantages:

- Safe handling
- High level of operating security
- Long service life of the filter heads (10 years)
- Impossible to accidentally spill water when removing the cartridge
- Built in water valve for exchanges



Our service to you:

- Visual safety symbols
- Audible lock engagement
- Stable filter cartridges, bursting pressure tested
- Certified safety through independent institutions
- Integrated flush and bleed valve in the filter heads
- Water short-cut if cartridge is not inserted
- Fully capacity tested

3. Simple handling.

Your advantages:

- Fast and convenient filter exchange without the need for tools
- No need to switch off water during exchange
- Simple pre-rinsing and bleeding
- Vertical, horizontal and even over-head installation possible



Our service to you:

- Rapid-change system
- Tightly packed filter material
- Comprehensive accessory range including FlowMeters, adapters and hose sets
- Water inlet and outlet on one filter head side for space-saving installation in floor units or machines

We keep our promises. BRITA technology makes it possible.

For consistent water quality fulfilling even the highest requirements.

Accurately, inter-coordinated filter media and components

The accurate combination and interplay of the filter media and components necessary matched for the application.

For filters, which guarantee the highest possible safety.

Visual safety symbols

Clear, easy-to-understand symbols on the filters to support safe handling during installation, maintenance and filter exchange.

Reliable locking system

By reliably locking the filter cartridge in the filter head and controlling the water flow, the innovative locking handle ensures simple and reliable operation.

Reliable, secure, burst pressure tested design

The use of stable and robust materials guarantees a long service life for the filter (10 years) – all containers are subjected to static and dynamic ability tests.

Audible lock engagement

Clearly audible noise to signify that the head has engaged securely with the filter cartridge – confirming that the filter system is securely installed.

Certified safety through independent institutions

The food quality provided by BRITA water filter products is tested and monitored by independent institutions.

For users who appreciate simple and convenient operation.

Rapid-change system

Open locking handle, exchange the filter cartridge – all done!

Integrated flush and water valve

Commissioning and all maintenance work can be carried out directly on the filter without the use of tools, saving time and costs.

Tightly packed filter material

The compact filter design enables PURITY C filters to be operated vertically, horizontally or even overhead with the same capacity and consistent high water quality.

PURITY C Quell ST

Flow system

The even flow design helps prevent undefined mixed water build up and guarantees constant reduction of the carbonate hardness.

The distributed, flat crude water flow forms parallel, equal length and ideal flow paths which enable the filter medium to be utilised fully and evenly from top to bottom.

IntelliBypass technology

A volumetric-flow independent by-pass water proportion ensures constant water quality, particularly for low water through-flow rates (for small-volume drinks e.g. espresso). Also suitable for water with low carbonate hardness due to a possible by-pass setting of 70%.



From coffee to the oven – areas of application.



Coffee

The demands are high: optimum aroma and taste, stable crema, even distribution of flavour enhancers, such as milk, etc. – an experience for all the senses. BRITA water filters enable consistent, optimal water quality for successful presentation.



Vending

Give your customers coffee specialities, tea, soup and cold drinks with that extra taste and save on the majority of service trips. With BRITA water filter systems in your machines, you are always on the safe side and save both time and money.



Combi ovens & conventional ovens

Don't cook, steam and bake with just any water – use BRITA water and create dishes to treat the eyes and the palate. Wonderfully light and fluffy baked goods, tasty crusts and crunchy vegetables which just beg to be eaten. Your machines are operated so gently that they remain in good working order for a long time with no additional maintenance required.

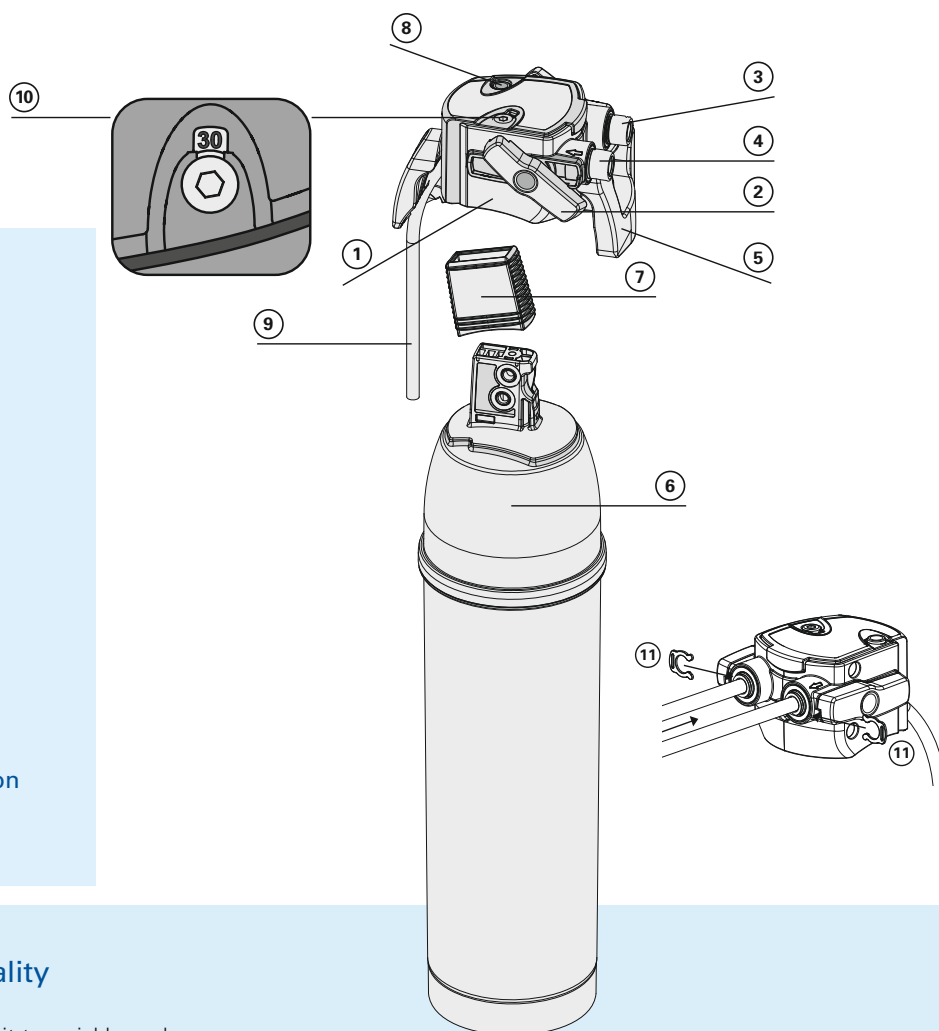


Cooler

Clear, cool water – there's nothing better for quenching thirst while providing a balanced mineral intake. Today, almost every office, shopping centre and medical practice is equipped with a watercooler. It is therefore even more essential to ensure that the water provided is of good quality. For water of the highest quality with pleasant aromas, and long-term protection for your watercooler.

PURITY C in detail

The PURITY C filter system comprises the following components:



All filter head types:

- 1 Filter head
- 2 Locking handle
- 3 Water outlet (G3/8" or JG8)
- 4 Water inlet (G3/8" or JG8)
- 5 Wall mounting bracket
- 6 Filter cartridge
- 7 Protective cap
- 8 Flush valve
- 9 Flush hose

Additionally for filter head types

PURITY C 0-70%:

- 10 By-pass setting

Filter heads with John Guest connection

- 11 Safety clips

Determining the local water quality

Use the BRITA carbonate hardness test kit to quickly and easily determine the carbonate hardness of your water on site. Alternatively, BRITA Client Services or the local water supplier can provide information on your local carbonate hardness. With the aid of a by-pass and capacity table, you can then optimise the settings on your filter head.





Decarbonisation with PURITY C Quell ST – optimised water quality for your machines and products

Your advantages:

- **The technology of the future**
The unique composition of the filter media ensures consistent water quality. The best results are guaranteed! An innovative filter head concept ensures simple, flexible and reliable operation.
- **IntelliBypass**
A volumetric-flow independent by-pass water proportion ensures constant water quality, particularly for low water through-flow rates (for small-volume drinks e.g. espresso).
- **High capacity**
Up to 6,800 litres (at a carbonate hardness of 10°dH/by-pass water proportion of 40 % and when using the 0–70 % filter head).
- **Flexibility**
All of the PURITY C filter heads fit every filter in the range.



The task:

Even the best drinking water may have a high proportion of carbonate hardness due to regional differences in water content. The consequences: scale deposits in important machine parts lead to increased service and operating costs and high cleaning costs. In addition to important machine parts, the aroma and taste of the products also suffer, and with them the level of customer satisfaction.

The solution:

Specially developed for use in the catering and vending sectors, PURITY C Quell ST filter cartridges reduce the carbonate hardness in drinking water, thus avoiding scale deposits in the upstream appliance. The filter medium also binds heavy metal ions, such as lead and copper, and reduces cloudiness, organic and taste tainting impurities as well as chlorine residues in the filtrate and in the by-pass water.

Four sizes for the perfect solution!

The PURITY C Quell ST range, with its four different filter sizes, ensures a reliable reduction in scale-forming substances, as well as undesired odours and flavours, offering optimal product quality and long machine running times.

The ideal solution to consistently fulfil even the most demanding quality requirements.



PURITY C Quell ST

Comprehensive 4 stage filtration:

① Prefiltration

The prefiltration fabric reliably retains coarse particles, such as sand.

② Carbonate hardness reduction

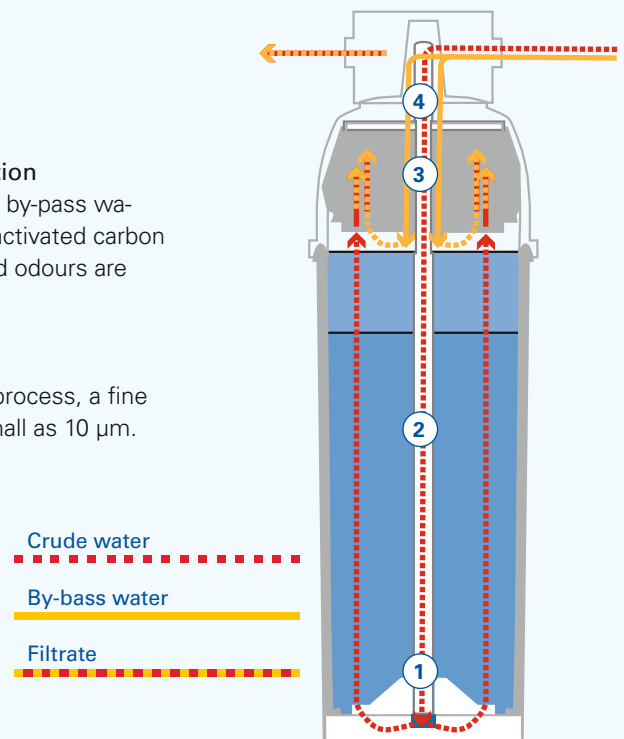
The PURITY C Quell ST filter medium specifically reduces carbonate hardness. This helps to prevent unwanted scale build-up.

③ Activated carbon filtration

All the water—including the by-pass water—runs through a BRITA activated carbon filter. Unpleasant tastes and odours are eliminated.

④ Fine filtration

At the end of the filtration process, a fine filter retains particles as small as 10 µm.





Activated carbon filtration with PURITY C1000 AC – for freshness in a bottle, cup or glass.

Your advantages:

- **Optimum water quality for 10,000 litres**
The activated carbon block in the PURITY C1000 AC filter cartridge filters out contaminants that cause taste taints and odours present in water. Particles, suspended matter and sand cannot get through and affect the machine or beverage.
- **Freshness and safety**
The BRITA activated carbon block filters particles of up to 0.5 µm in line with NSF Standard 42 whilst reducing chlorine and other substances that impair taste and odour. Leaving nothing to stand in the way of pure enjoyment.
- **The best taste experience**
The changing intake water quality has an effect on the taste, smell and appearance of the water. The PURITY C1000 AC ensures pure, clear and fresh water, as the product for your vending drinks, in the water dispenser or for your coffee machine in soft water areas.
- **Highest level of comfort for you**
As with all the PURITY C Family, the handling couldn't be easier or less complicated. In addition, PURITY C1000 AC is compatible with the heads from the PURITY C Family.



The task:

Even the best quality drinking water can affect the flavour, aroma and appearance of drinks due to regional differences in its constituents. Metals and organic pollutants introduced by the installation can also have a negative impact on drinking water, with the result that it does not meet the exacting standards required of the end product. In these cases, particles or suspended matter that get into your machines can lead to system malfunctions, which in turn result in unnecessarily high maintenance costs.

The solution:

PURITY C1000 AC reliably retains the residues in drinking water that can impair the flavour, aroma and appearance of the end product of the connected system. The activated carbon block filters unwanted tastes and odours out of the water. The extremely fine-pored carbon block retains even small particles (as small as 0.5 µm) and impurities that may represent a hygiene risk. Typical areas of application for the PURITY C 1000 AC filter cartridge are vending machines, plumbed in water dispensers and coffee machines.

All-round protection for your machine and products: PURITY C1000 AC



With PURITY C AC filter cartridges, 100 % of the intake water is filtered. The filter cartridge can be used with filter heads that have a variable or fixed by-pass. The by-pass proportion that may have been set in the filter head is ignored.



PURITY C1000 AC

Filtration occurs as follows:

① Water supply

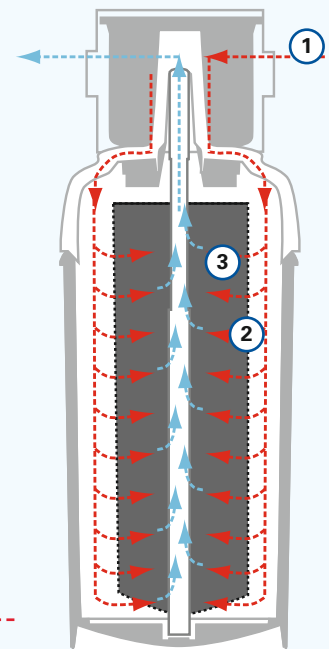
All crude water flows through the carbon block from the outside inwards

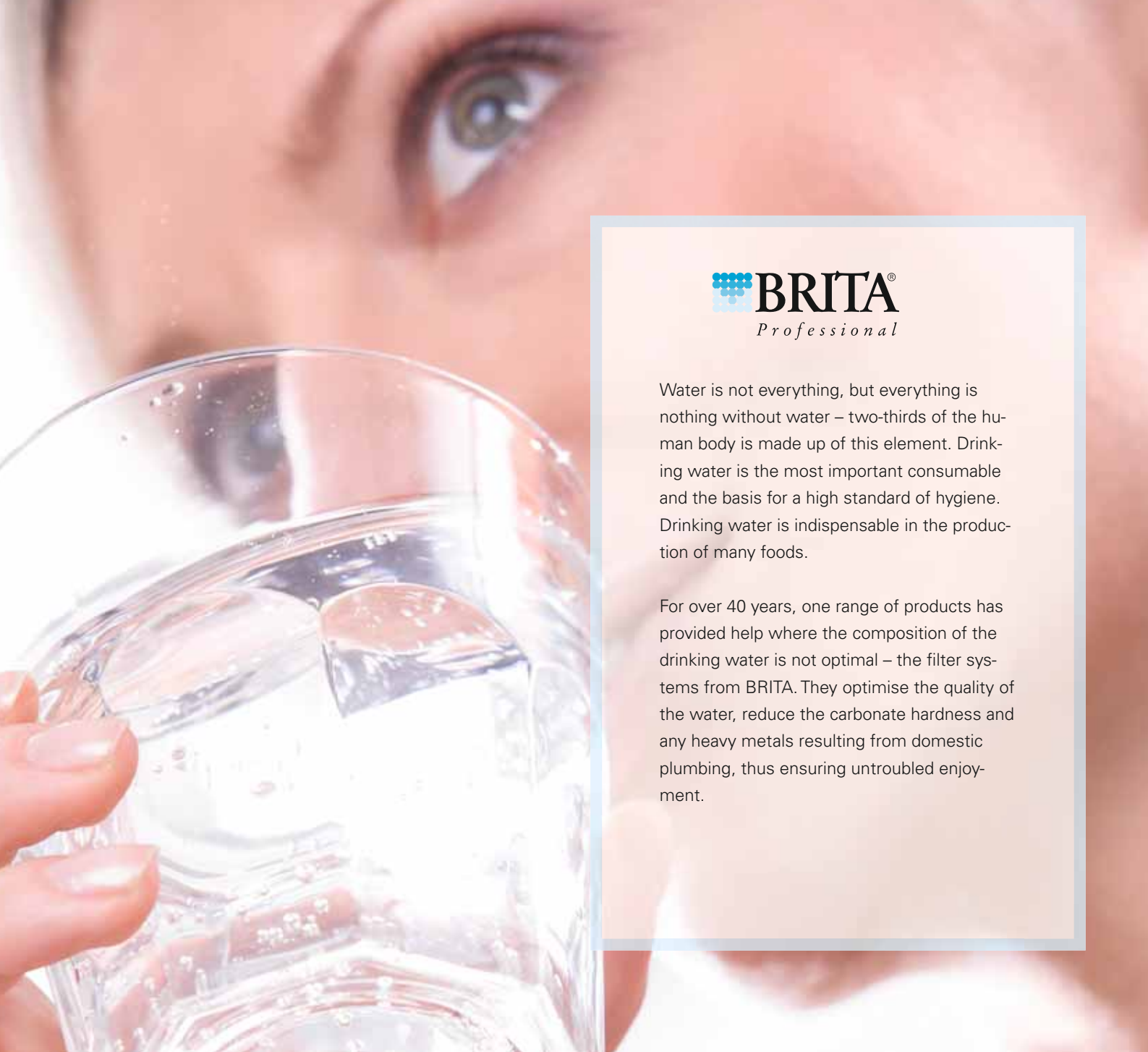
② Prefiltration

Expansion media traps coarse impurities (e.g. sand) before they reach the carbon block

③ Activated carbon filtration

Unpleasant tastes and odours are eliminated. The special fine-pore structure ensures outstanding particle retention





Water is not everything, but everything is nothing without water – two-thirds of the human body is made up of this element. Drinking water is the most important consumable and the basis for a high standard of hygiene. Drinking water is indispensable in the production of many foods.

For over 40 years, one range of products has provided help where the composition of the drinking water is not optimal – the filter systems from BRITA. They optimise the quality of the water, reduce the carbonate hardness and any heavy metals resulting from domestic plumbing, thus ensuring untroubled enjoyment.

For more information:

BRITA Professional GmbH & Co. KG
Heinrich-Hertz-Straße 4
D-65232 Taunusstein
Tel: +49 (0)6128 / 746-0
Fax: +49 (0)6128 / 746-5010
professional@brita.net
www.brita.net

BRITA Professional
BRITA House
9 Granville Way
Bicester
Oxfordshire
OX26 4JT
Great Britain
tel: +44 (0)844 742 4990
fax: +44 (0)844 742 4902
clientservices@brita.co.uk
<http://professional.brita.co.uk>

